

BELLOWS SEALED STOP VALVES VF20

DESCRIPTION

VF20 series are streamlined flow valves with bellows, outside screw no rising stem, maintenance free. They are specially recommended for steam, gas, liquid, condensate, thermal oil and water systems. Connections are flanged.

MAIN FEATURES

Double wall bellows specially designed for high durability.

Position indicator

Lubricator

Maintenance free

Secondary safety sealing



OPTIONS: Parabolic plug
PTFE disc sealing (max.180°C)

USE: Steam, gases and liquids compatible with the construction.

AVAILABLE MODELS: VF20 – Cast iron

RATING: PN16

SIZES: DN15 to DN 200

CONNECTIONS: Flanged EN1092-2 PN16

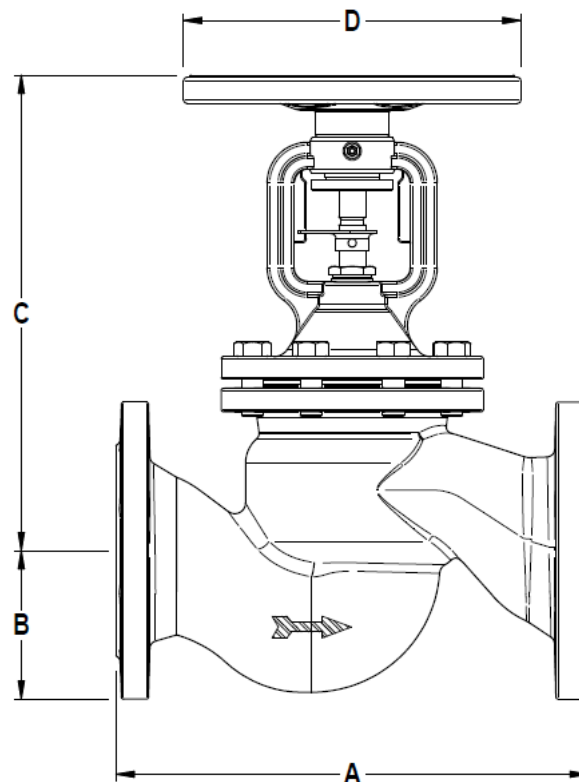
INSTALLATION: See IMI, installation and maintenance instructions.

CE MARKING (PED - European Directive 97/23/EC)	
PN 16	Category
DN15 to DN50	SEP - art. 3, paragraph3
DN65 to DN200	1 (CE Marked)

LIMITING CONDITIONS VF 20	
ALLOWABLE PRESSURES	RELATED TEMPERATURE
16 bar	-10 /120° C
12,8 bar	200 °C
11,2 bar	250 °C
9,6 bar	300 °C

CE Marking: This product has been designed for use on water, steam, air and other gases which are in Group 2 of the European PED-Pressure Equipment Directive in use and it complies with those requirements. The product carries the CE mark when falling in category 1 and above.

DIMENSIONS (mm)						
SIZE DN	A	B	C	D	WGT. Kgs	Kv m3/h
15	130	47,5	178	125	3,2	5,9
20	150	52,5	178	125	3,9	7,4
25	160	57,5	193	125	4,6	13
32	180	70	201	125	6,5	18
40	200	75	224	150	9	30
50	230	82,5	228	150	11	41
65	290	92,5	270	175	15,8	79
80	310	100	295	200	20,5	115
100	350	110	352	250	35	181
125	400	125	380	300	49	225
150	480	142,5	427	400	76	364
200	600	170	569	500	130,5	725



MATERIALS		
POS.	DESIGNATION	MATERIAL VF20
1	Body	EN-GJL-250
2	Seat	St.Steel
3	* Spindle	St.Steel
4	* Disc	St.Steel
5	Bonnet	EN-GJS-400-18-LT
6	* Bellows	St.Steel
7	* Gasket	St.Steel/Graphite
8	* Packing	Carbo-Graphite
9	Gland	ZincPl.Steel
10	Anti-friction disc	ZincPl.Steel
11	Handwheel	Steel
12	Bolts	Steel 8.8

* Available spare parts.

